

BF8

8 hp 4-stroke Outboard Engine

Recoil or electric start options

Recoil start model with 6 amp charging coil, or electric start model with 12 amp charging coil.

Honda 4-stroke engine

8 hp water-cooled, 4-stroke, 2-cylinder OHC engine is quiet, with low fuel consumption and emissions.

Safe operation

A range of features including oil pressure alert, start-in-gear protection and a wrist-fit engine kill-switch inspire confidence.

Fuel enrichment system

Auto starting enrichment system ensures easy starting for added reliability.

Flushing port

Fresh water flushing port extends engine lifetime.

Electronic ignition

Digital CD ignition is maintenance-free and ensures easy starting, smooth running and optimised performance.

Steering options

Optional remote control or tiller handle available, dependent on model.

Pendulum motion engine mount

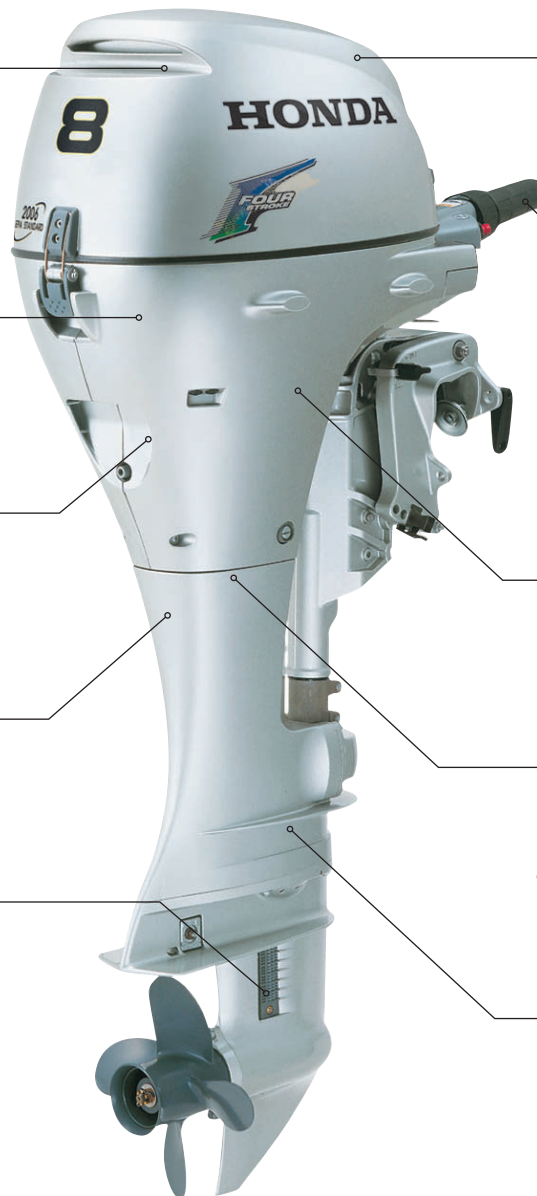
Eliminates vibration for a smoother drive.

4-Front corrosion protection process

4-stage coating process including anodising, paint and clear resin overcoat to protect against harsh ultraviolet rays and prolonged saltwater exposure.

Optional shaft lengths

Available in either long or short shaft, dependent on model.



With the BF8, you will always be sailing with confidence, no matter where your nautical adventures take you. The 8 hp Honda 4-stroke, has a throttle friction knob and tool-less steering friction lever, meaning manoeuvring has never been easier. Also, a unique shock absorber system with pendulum motion eliminates vibration, allowing a comfortable ride. You need an engine that won't fail you, especially when you are far from shore. On-board alert systems and our 6 year warranty let you sail with confidence.

Price
(incl. VAT)



Domestic Use



Professional Use

*subject to an annual service